



# r o b o t i c s

**The painting robots**

**in the world of wood**

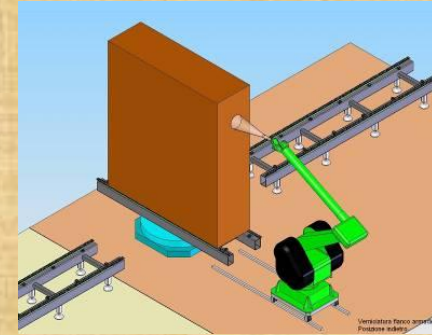
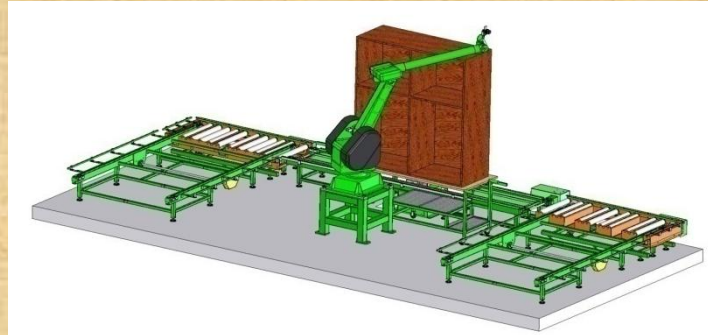
**a well-established reality**

**advantages, benefits and solutions**

**with the full respect of the environment**



# ASSEMBLED FURNITURE



Complete solutions for painting assembled furniture and transported by automatic lines, with maximum dimensions as **1800 x 700 x 1800 mm**. The lines are equipped with a rotating system controlled by the robot, two different paint guns can be mounted for different colors or automatic color change



GR-650 ST



GR 650 ST



**GR 650 G**



Robot model **GR 650 G**: Suitable for painting furniture assembled with maximum dimensions: 1400 x 600 x 1400 mm; the pieces are loaded onto the arm of the carousel built in the robot, which brings them in front of the robot to be painted on all four sides and then move them to the unloading area; multiple guns can be used simultaneously.

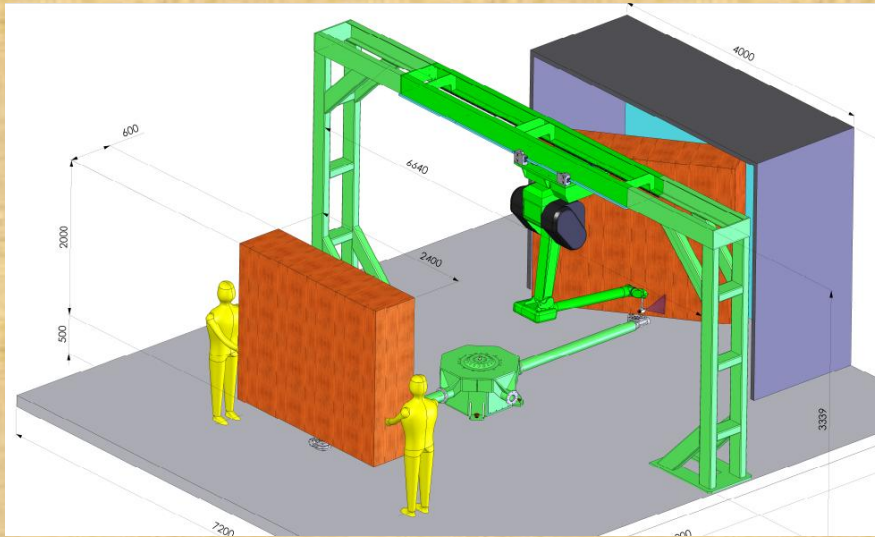
**Very high quality finish with reduced paint use**



Load & download







The painting of large assembled furniture, using a robot hanging from a structure and a carousel; it can be used to paint furniture with dimensions mm: 2500 x 800 x 2000 mm.

The pieces are loaded on the robot arm placed onto the back of the carousel, which then rotates to bring the piece in front for the painting and at end of the cycle rotates to the unloading zone

